

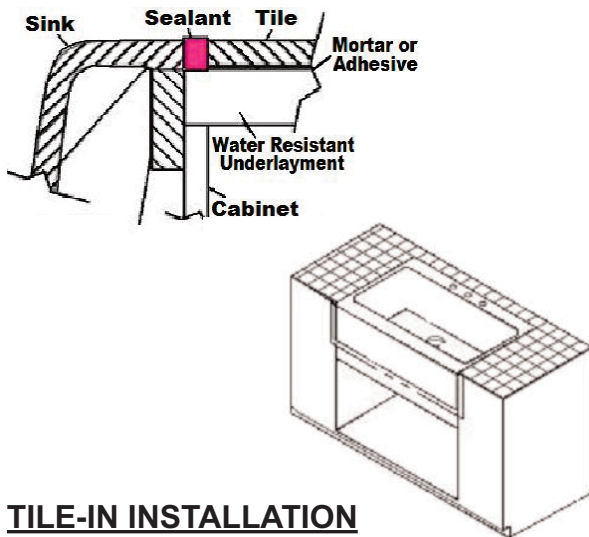
Copper Farmer Sinks



INSTALLATION INSTRUCTIONS

Tools Needed

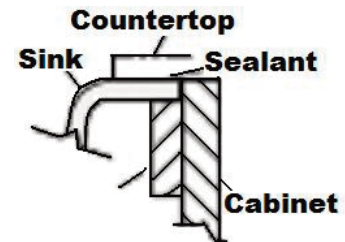
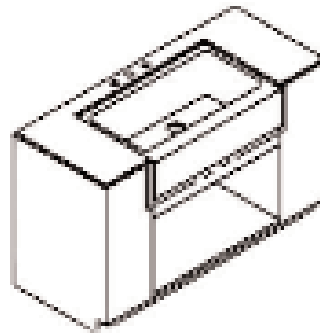
- Saber or Keyhole Saw • Ruler & Pencil • Sanding Block • Sealant (not included) •
- Sand Paper • Glasses • New Faucet (optional) •



TILE-IN INSTALLATION

1. This sink is designed for installation flush with or slightly lower than the surrounding tile.
2. Measure the sink apron and cabinet opening to make sure sink apron will fit into cabinet opening. If necessary, sand opening or add wood filler strips.
3. Assemble faucet according to manufacturer's directions.
4. Place a thin layer of sealant at each corner of the supporting frame where it will contact the sink.
5. Gently position the sink within the frame, placing the sink in the center of the cabinet.

*** The cabinet and supporting framework should be reinforced to hold up to 300 lbs securely once the sink is installed. Typically this involves a timber supporting frame with 3/4" plywood deck or a brick plynth.**



UNDERCOUNTER INSTALLATION

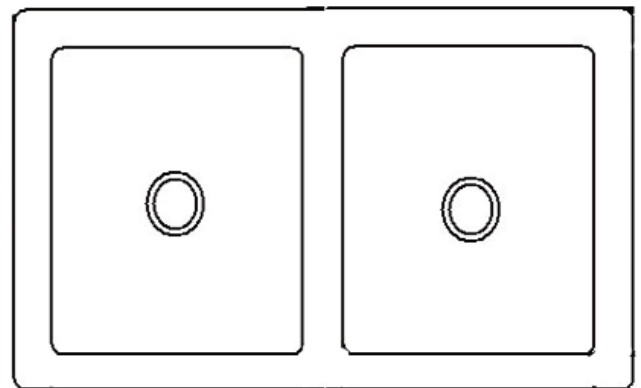
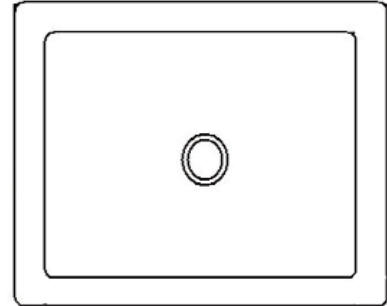
1. The supporting frame should be positioned so that the top of the sink rim (when placed inside the cabinet) is level and flush with the top surface of the cabinet perimeter support or underlayment at the cut out area. **The front apron is taller than the basin so the back of the basin will require extra support to ensure that the sink is level.**
2. Measure sink apron and cabinet opening to make sure sink apron will fit into cabinet opening. If necessary, sand opening or add wood filler strips.
3. Assemble faucet according to manufacturer's directions.
4. Place a thin layer of sealant at each corner of the supporting frame where it will contact the sink.
5. Gently position the sink within the frame, placing the sink in the center of the cabinet.
6. Make sure the sink rim is level and flush with the cabinet perimeter. Adjust or shim between the sink and the support if needed to obtain proper fit. The top of the sink rim must be flush with the top of the cabinet perimeter in order to obtain proper contact with the underside of the counter top.
7. Assemble the strainer or garbage disposal to the sink according to the manufacturers directions.
8. Using sealant between the sink and the cabinet is optional and up to the buyers discretion.

Copper Farmer Sinks



SOLID SURFACE INSTALLATION

1. Follow steps 1-7 as outlined in the undercounter sink installation section.
2. Carefully measure the counter top to determine the exact location of the cut-out.
3. Measure the distance from finished wall to the center of the sinks faucet holes. This dimension will be used to locate the faucet hole centerline and back edge of the cut-out on the counter top. Make sure the sink is positioned to provide adequate clearance between the faucet and the backsplash, finished wall, or support frame. This will ensure full faucet operation when installed.
4. From back edge of the counter top, locate the dimension from the finished wall to the center of the faucet holes and draw a centerline. Subtract 1 1/2" from the faucet hole centerline to locate the back edge of the cut-out. Trace the cut-out opening on the counter top using a soft lead pencil. Locate the faucet holes.
5. Cut out the opening in the counter top, carefully following the pencil line. Use an Orbital sander or sanding block to smooth the edge of the cut-out area and remove all saw marks. For laminate type counter top, all exposed un laminated surfaces near the cut-out opening must be adequately finished and sealed to prevent damage from water absorption.
6. Drill required faucet hole locations and install the faucet according to the manufacturers directions.
7. Clean the top of the sink rim making sure the surface is free from any debris. Clean the bottom of the counter top around the cut-out area making sure the surface is smooth and free of defects.
8. Apply a generous bead of sealant around the sink rim where the sink rim and the counter top meet.
9. Position the counter top over the sink, being careful the sealant provides a complete seal between the sink rim and the bottom of the counter top. Immediately wipe away any excess sealant with a damp cloth. Fill any voids between the rim and the counter top with sealant.
10. Sealing the gap between the apron and the cabinet is optional and up to the buyer's discretion.



NOTE: Due to the hand-made nature of our copper sinks, dimensions may vary slightly. Because of the dimensional variation possibility of hand-made products, we recommend that the cabinetmaker wait until the sink is on hand before making any cabinetry counter top. There is no standard fitting framework or supporting brackets.

* These sinks can be installed flush with the front of the cabinet or extend beyond the front of the cabinet by approximately 1".

* Due to the variety of installations possible with these sinks, installation may require procedures other than those described in these instructions.